

INTRODUCING THE **NEW** *SPIDER CART*



A safe and efficient
equipment, designed
to bypass obstacles
on high voltage power lines



by **MOVEX**
INNOVATION

INTRODUCING THE **NEW** **SPIDER CART**

Safety, efficiency
and simplified maintenance

The *Spider Cart* is specifically designed to easily and safely bypass any obstacle on power lines.

**WORKS ON A SINGLE
POWER LINE UP TO
A 32 DEGREE GRADIENT**

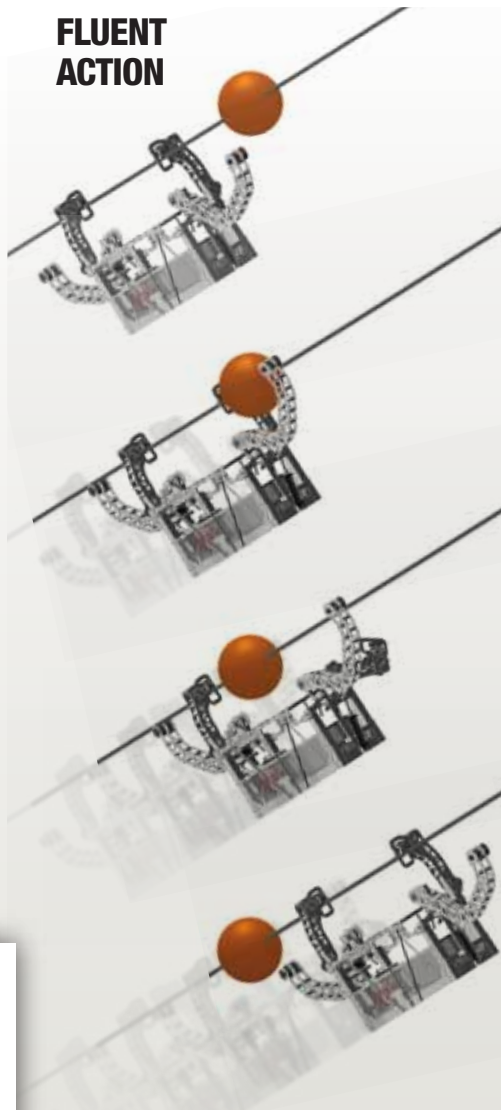


**BOLT-MOUNTING
SIGNIFICANTLY
SIMPLIFIES
MAINTENANCE**

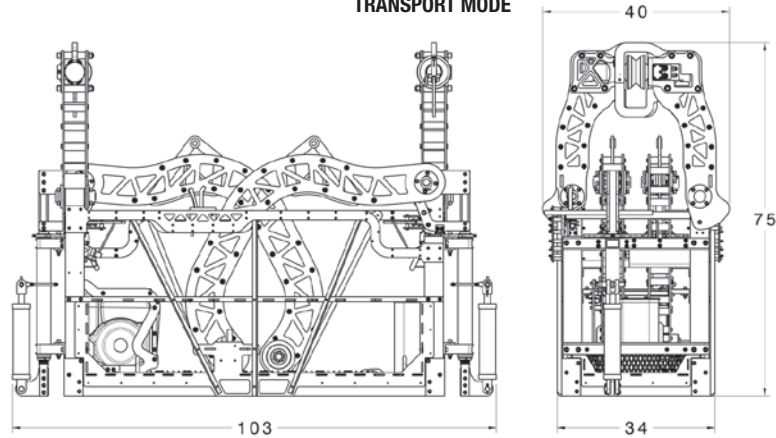
Its bolt-mounted system greatly simplifies the security inspections over the *Spider Cart*. This results in time-saving significant advantage on maintenance costs.

**TRACTION WHEELS
DESIGNED IN COLLABORATION
WITH HYDRO-QUÉBEC - IREQ**

**FLUENT
ACTION**



TRANSPORT MODE



TECHNICAL SPECIFICATIONS

- **FRAME**
Aluminum
- **FRAME LENGTH**
81 in / 2057.4 mm
overall length 181 in / 4597.4 mm
- **FRAME WIDTH**
34 in / 863.6 mm
overall width 40 in / 1016 mm
- **FRAME HEIGHT**
39.5 po / 1003.3 mm
overall frame 75 in / 1905 mm
- **EMPTY WEIGHT**
1234.6 lb / 560 kg
- **CMT**
716,5 lb / 325 kg
- **DISPLACEMENT SPEED**
108 ft/min / 33 m/min (2" dia.)
99 ft/min / 30 m/min (1-1/2" dia.)
89 ft/min / 27 m/min (1" dia.)
85 ft/min / 26 m/min (3/4" dia.)
- **MOTOR**
 - **HONDA GX270 HORIZONTAL SHAFT**
 - **MOTOR TYPE**
Air Cooling / 4 Stroke, ST (OHV)
 - **DISPLACEMENT**
270 cm³
 - **NET TORQUE**
14.1 lb-ft (19.1 Nm) @ 2 500 min/tr
 - **NET POWER OUTPUT**
8.5 HP (6.3 kW) @ 3600 min/tr
 - **RESERVOIR CAPACITY**
5.3 litres / 5.6 pt (US)
 - **RESERVOIR AUTONOMY**
3 hours
 - **OIL CAPACITY**
1.1 litre / 1.16 pt (US)